

LED AMPLIFIER MINI SERIES
PRODUCT SERIES DATASHEET



LED Amplifier



88Light LED mini Amplifiers have been widely applied in household lighting, business center, supermarket, office, hospital, chain operation store, restaurant, hotel, interior decoration, wedding photography, large exhibition engineering and so on.
As its easy installation and can make a variety of changes in effect with the LED lamps.

Applications:



PRODUCT FEATURES

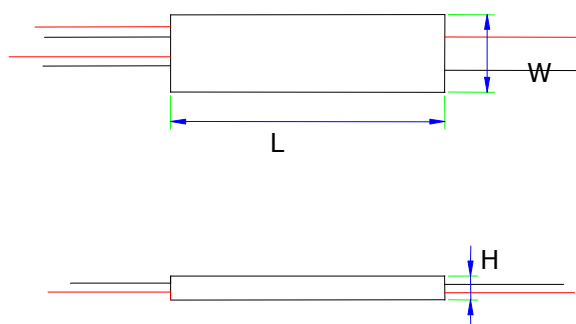
- Suitable for kinds of LED lights.
- Wide range of input voltages from DC5V to DC24V.
- One/Three/Four channels for Single/RGB/RGBW lights.
- Handy installation with small volumes.
- Environmentally friendly-fully recyclable, no mercury or other hazardous materials.
- CE & RoHS, FCC approved friendly to environment.



LED AMPLIFIER MINI SERIES
PRODUCT SERIES DATASHEET



PRODUCT DIAGRAM



Product Name	L [mm]	W [mm]	H [mm]
88L-LSAMP-M11	46	12	3
88L-LSAMP-M13	46	12	3
88L-LSAMP-M14	46	14	3

TECHNICAL DATA

Electrical characteristics¹:

Product Name	Input Voltage	Output Voltage	Channel Qty	Output Current ² [A:max]	Continuous ³ Current	Connect Style	Max ⁴ Power	IP Grade
88L-LSAMP-M11	DC5-24V	as input	1	1x12A	1x5A	Cables	144W	IP44
88L-LSAMP-M13	DC5-24V	as input	3	3x4A	3x2A	Cables	144W	IP44
88L-LSAMP-M14	DC5-24V	as input	4	4x4A	4x2A	Cables	192W	IP44

Note 1: Absolute ratings @ 25°C.

Note 2: Max current is for dynamic mode and please keep good ventilation for the amplifiers.

Note 3: The continuous current is for static mode and please keep good ventilation for the amplifiers.

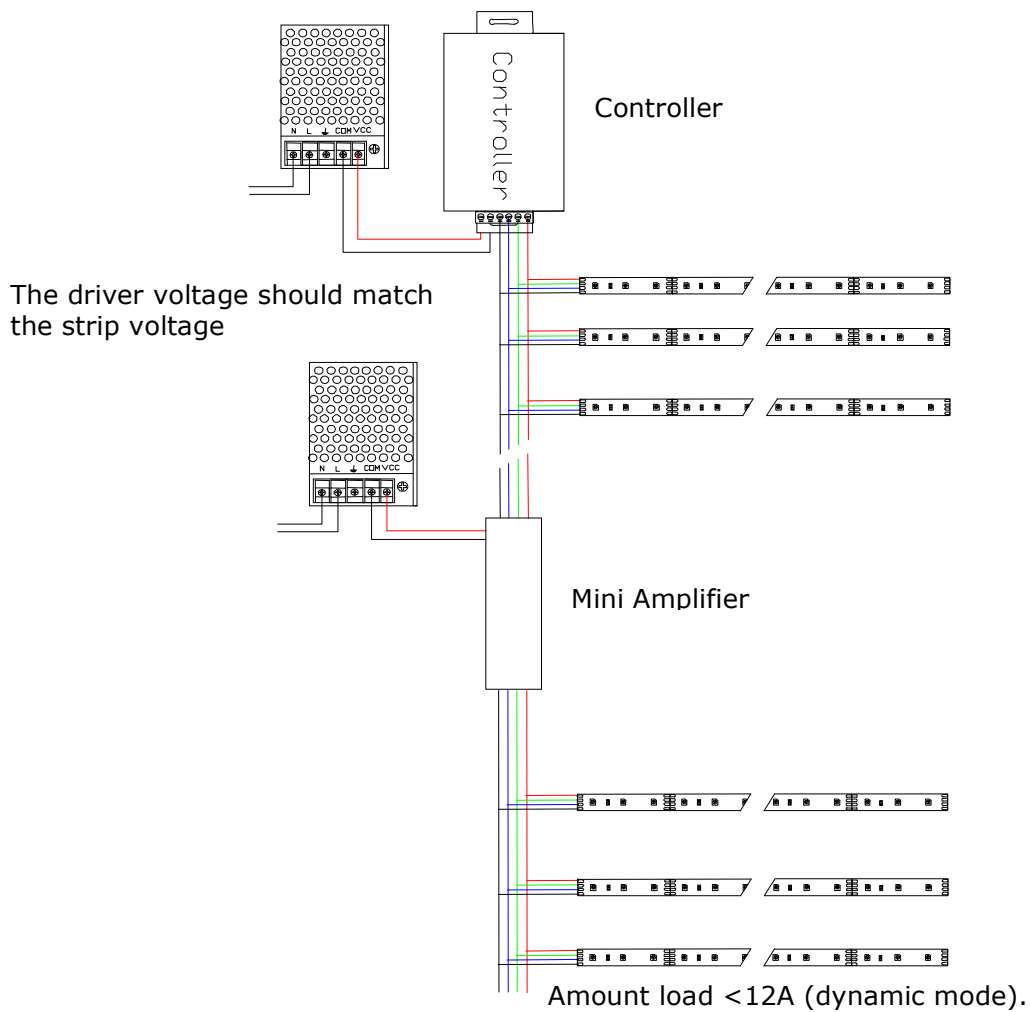
Note 4: Power consumption: The max output power is tested by input voltage 12V; it should be double when input voltage is 24V, but the max outputs current are the same.

LED AMPLIFIER MINI SERIES
PRODUCT SERIES DATASHEET



PRODUCT INSTALLATION:

Precaution: Switch off power before doing any works.



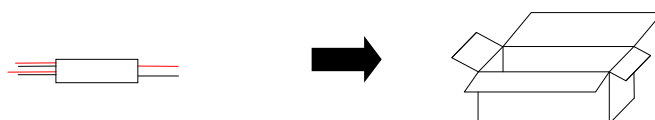
LED AMPLIFIER MINI SERIES
PRODUCT SERIES DATASHEET



SAFETY

1. **Always** consult a qualified, licensed electrician prior to the installation of this product.
2. **Always** ensure that all components are joined properly before they are installed.
3. LED Controller Amplifier or Dimmer is not waterproof, please don't use under water.
4. Each positive pole connected to a positive pole and each negative pole connected to a negative pole, if not, the Controller Amplifier or Dimmer will not work or damaged, and the output poles can't be paralleled together, or the Amplifier or Controller will be damaged.
5. Check the poles and try again and calculate the max current, it can't larger than the max value.
6. All amplifiers have max (Dynamic) current, if used in static mode, please keep <1/2 max current.
7. Each controller amplifier or dimmer have the max current, please check the total current before connected to the power, if the total current exceeds the maximum current, then the device will be a lot of heat, and even burned.
8. Ensure everything is connected properly before connecting to the power supply.
9. If any question about the installation, consult a competent electrical technician.

PACKING ⁵:



Product Name	Size of Carton (L×W×H)[cm]	Qty/Carton [pcs]	Gross Weight [Kg]
88L-LSAMP-M11	25x25x13	200	8
88L-LSAMP-M13	25x25x13	200	8
88L-LSAMP-M14	25x25x13	200	8

Note 5: Packing for informational purposes only for reference.

LED AMPLIFIER MINI SERIES
PRODUCT SERIES DATASHEET



OTHER 88Light PRODUCTS:

For more information about 88Light products, or to use our online energy saving calculation software please visit our website

www.88light.com

DISCLAIMER:

88Light reserves the right to modify the design of our products as part of the company's program of continuous improvement. 88Light cannot guarantee to match existing installed product for subsequent orders or replace the product exactly to match the product you are replacing in product appearance, color, or brightness. Specifications are subject to change without notice.